

BALL BEARING GUIDES

UHMW BEARING PLASTIC SUPPORT GUIDE


DOOR LATCHES IN OPEN & CLOSED POSITION AT POST

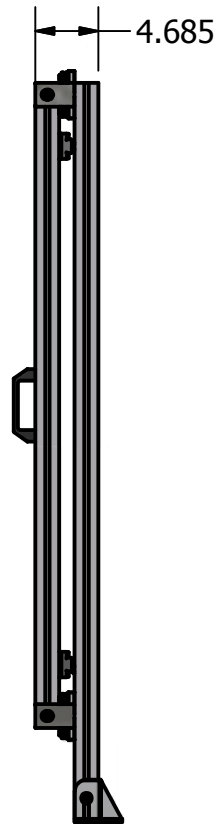
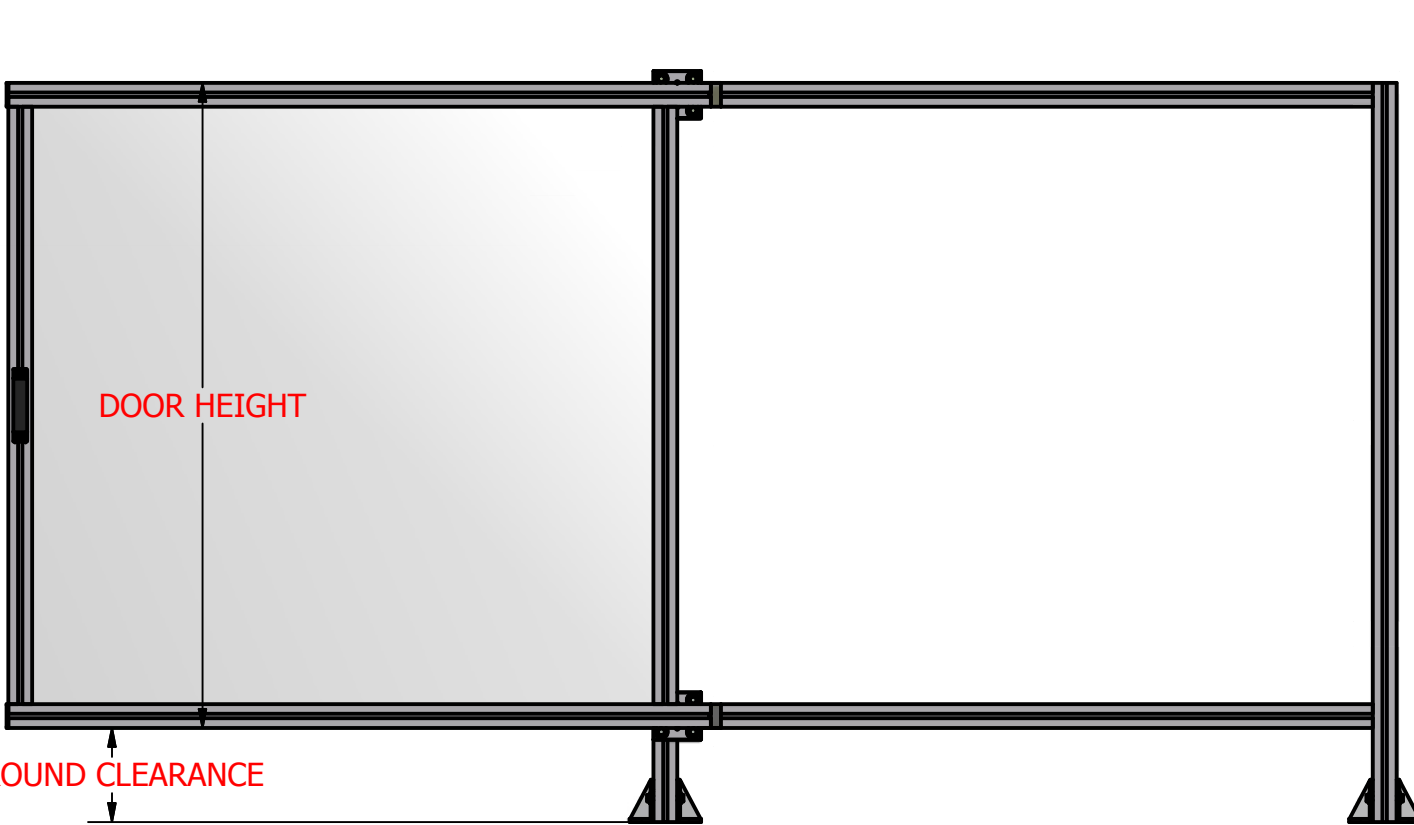
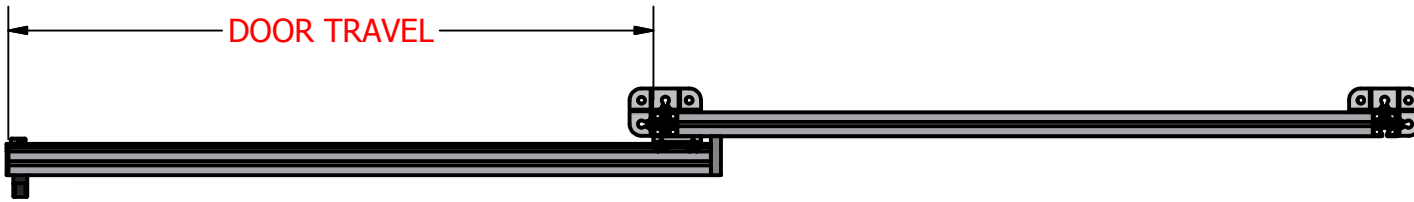
DOOR SHOWN IN OPEN POSITION

DOOR SHOWN IN CLOSED POSITION

DRAWING APPROVED FOR PRODUCTION BY: \_\_\_\_\_ DATE \_\_\_\_\_ APPROVED  REVISE & RESUBMIT

APPROVED WITH CHANGES  REJECTED


PROJECT AM02252013-1		 <small>WWW.MINITECFRAMING.COM          VICTOR, NY          PH # 585 924-4690          DIRECT 585 398-1240 EXT 104          FX # 585 924-4821          amoles@minitecframing.com</small>	REV
DRAWN BY ANDY MOLES			DWG NO
DATE 2/25/2013			<b>SP03122013-1</b>
DRAWN FOR MINITEC'S CUSTOMER	TITLE ADD TITLE	MATERIAL	FINISH
<small>TOLERANCES          UNLESS OTHERWISE NOTED          .X +/- .1/32"          .XX +/- .015"          .XXX +/- .010"</small>		SHEET 1 OF 11	



APPROVAL INITIALS:

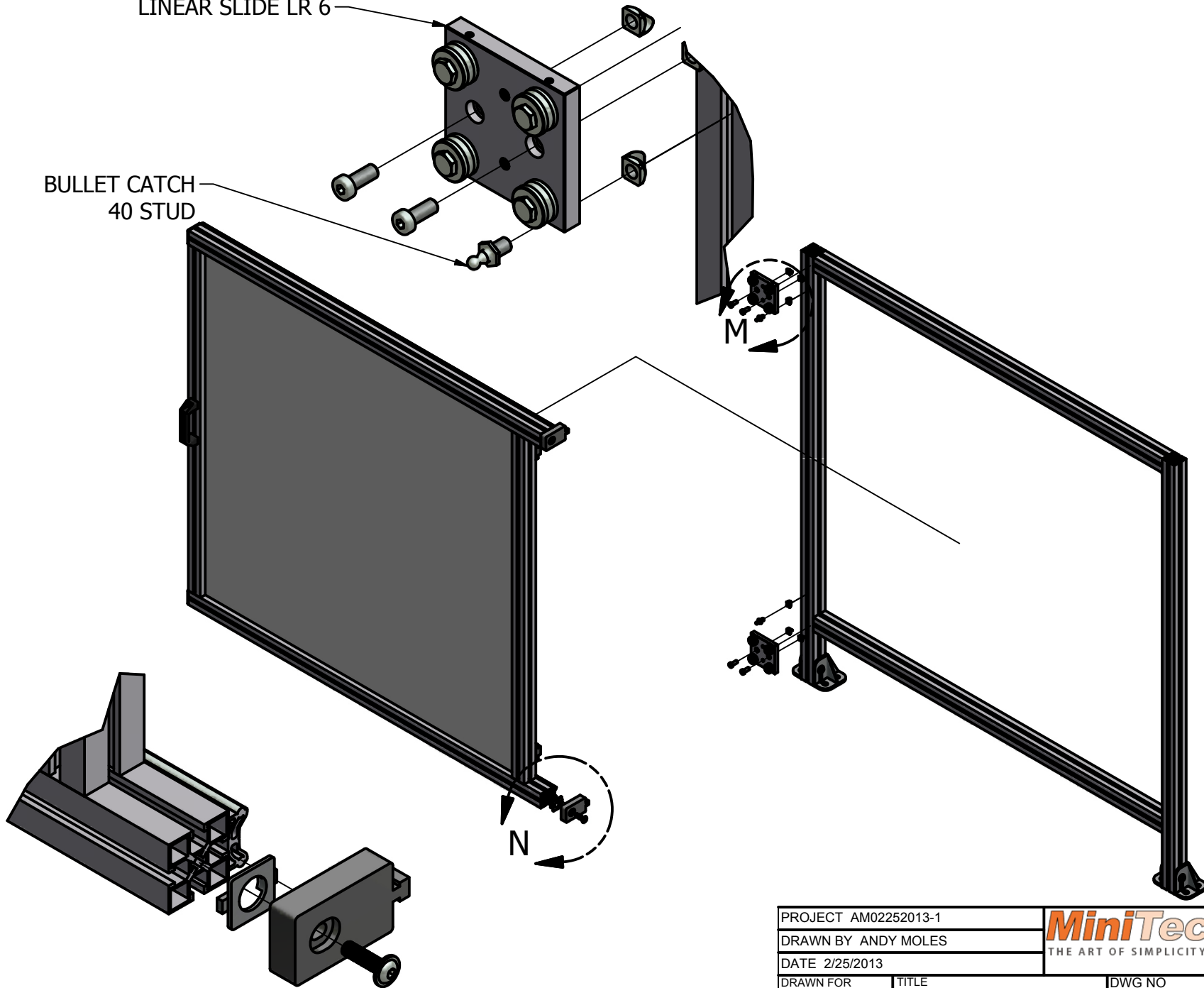
---

PRE-MILL INSPECTION  
 PROFILE \_\_\_ MITER ANGLE \_\_\_  
 LENGTH \_\_\_ MITER DIR. \_\_\_

PROJECT AM02252013-1			WWW.MINITECFRAMING.COM	
DRAWN BY ANDY MOLES			VICTOR, NY	
DATE 2/25/2013			PH # 585 924-4690 DIRECT 585 398-1240 EXT 104 FX # 585 924-4821 amoles@minitecframing.com	
DRAWN FOR MINITEC'S CUSTOMER	TITLE ADD TITLE	DWG NO <b>SP03122013-1</b>	REV	
TOLERANCES UNLESS OTHERWISE NOTED .X +/- .1/32" .XX +/- .015" .XXX +/- .010"		MATERIAL	FINISH	
				SHEET 2 OF 11


LINEAR SLIDE LR 6

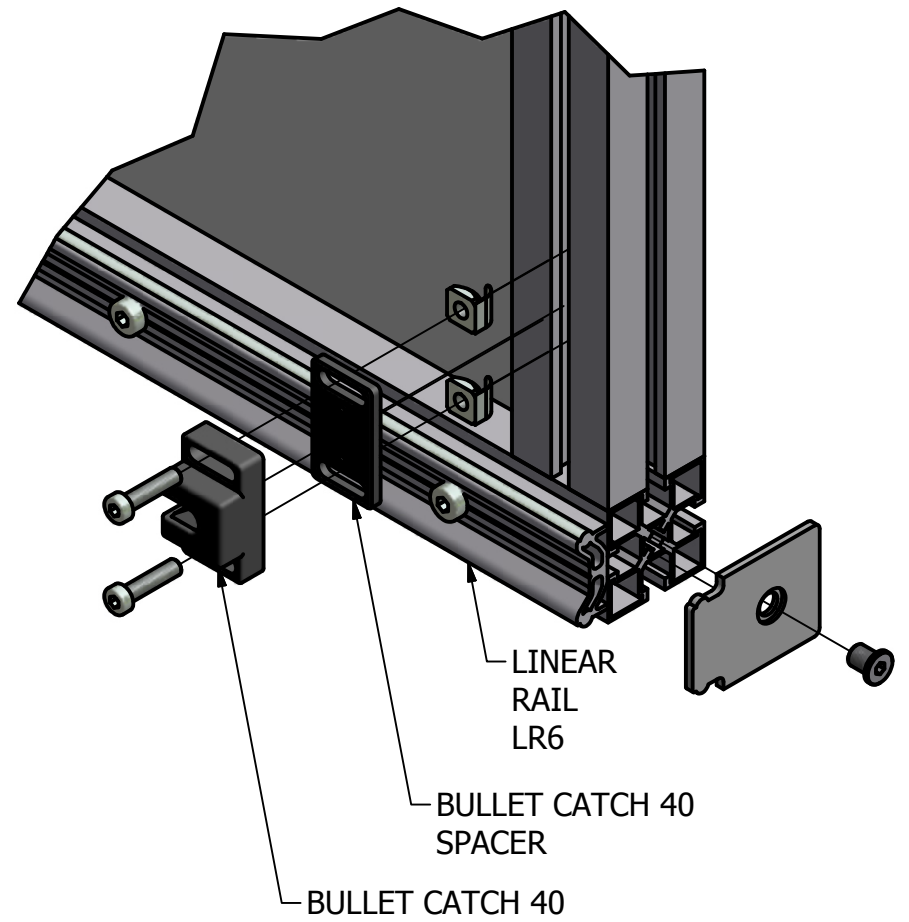
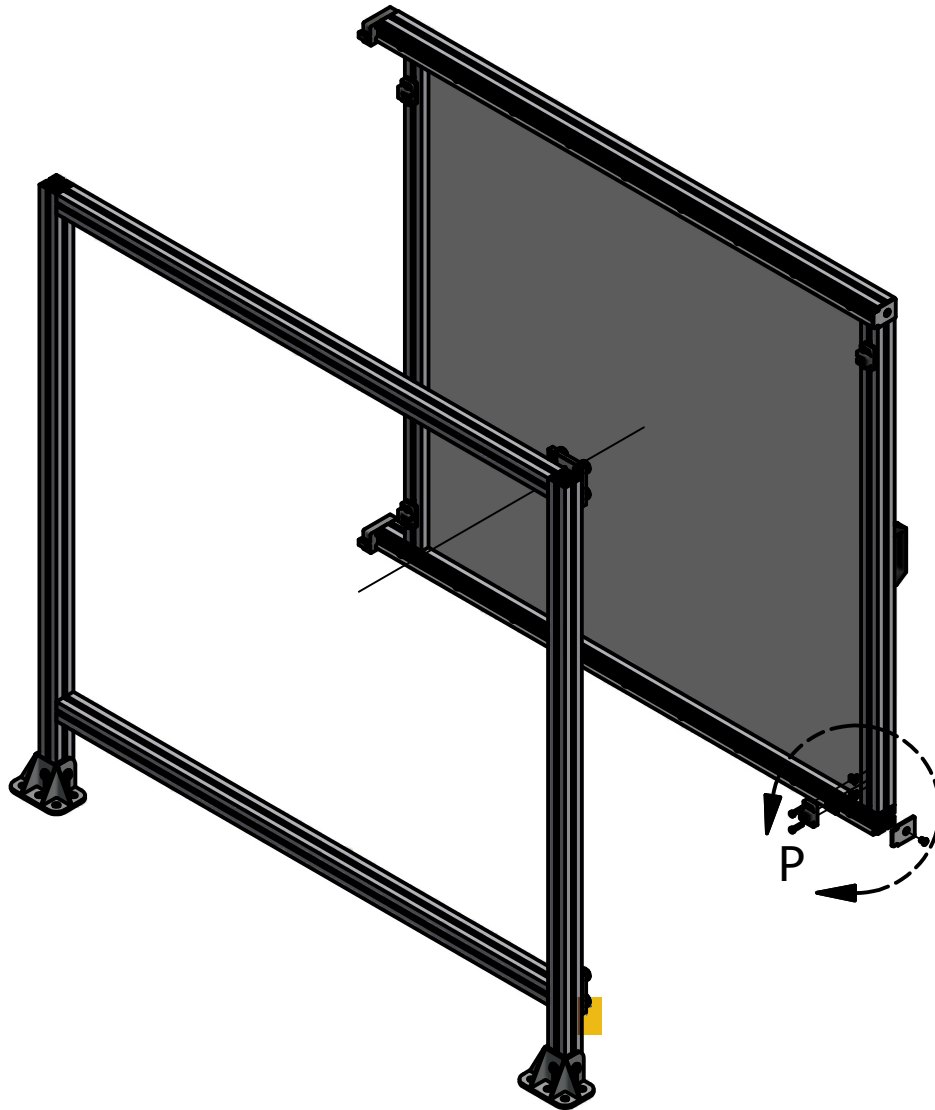
BULLET CATCH  
40 STUD



DRAWING APPROVED FOR PRODUCTION BY: \_\_\_\_\_ DATE \_\_\_\_\_ APPROVED  REVISE & RESUBMIT

APPROVED WITH CHANGES  REJECTED

PROJECT AM02252013-1		 <small>WWW.MINITECFRAMING.COM          VICTOR, NY          PH # 585 924-4690          DIRECT 585 398-1240 EXT 104          FX # 585 924-4821          amoles@minitecframing.com</small>	
DRAWN BY ANDY MOLES			
DATE 2/25/2013			
DRAWN FOR MINITEC'S CUSTOMER	TITLE ADD TITLE	DWG NO <b>SP03122013-1</b>	REV
<small>TOLERANCES UNLESS OTHERWISE NOTED          .X +/- .125"          .XX +/- .015"          .XXX +/- .010"</small>		MATERIAL	SHEET 3 OF 11
		FINISH	



DRAWING APPROVED FOR PRODUCTION BY: \_\_\_\_\_ DATE \_\_\_\_\_ APPROVED  REVISE & RESUBMIT

APPROVED WITH CHANGES  REJECTED

PROJECT AM02252013-1			<small>WWW.MINITECFRAMING.COM VICTOR, NY PH # 585 924-4690 DIRECT 585 398-1240 EXT 104 FX # 585 924-4821 amoles@minitecframing.com</small>	
DRAWN BY ANDY MOLES				
DATE 2/25/2013				
DRAWN FOR MINITEC'S CUSTOMER	TITLE ADD TITLE	DWG NO <b>SP03122013-1</b>	REV	
TOLERANCES UNLESS OTHERWISE NOTED X +/- .125" .XX +/- .015" .XXX +/- .010"		MATERIAL		SHEET 4 OF 11
		FINISH		