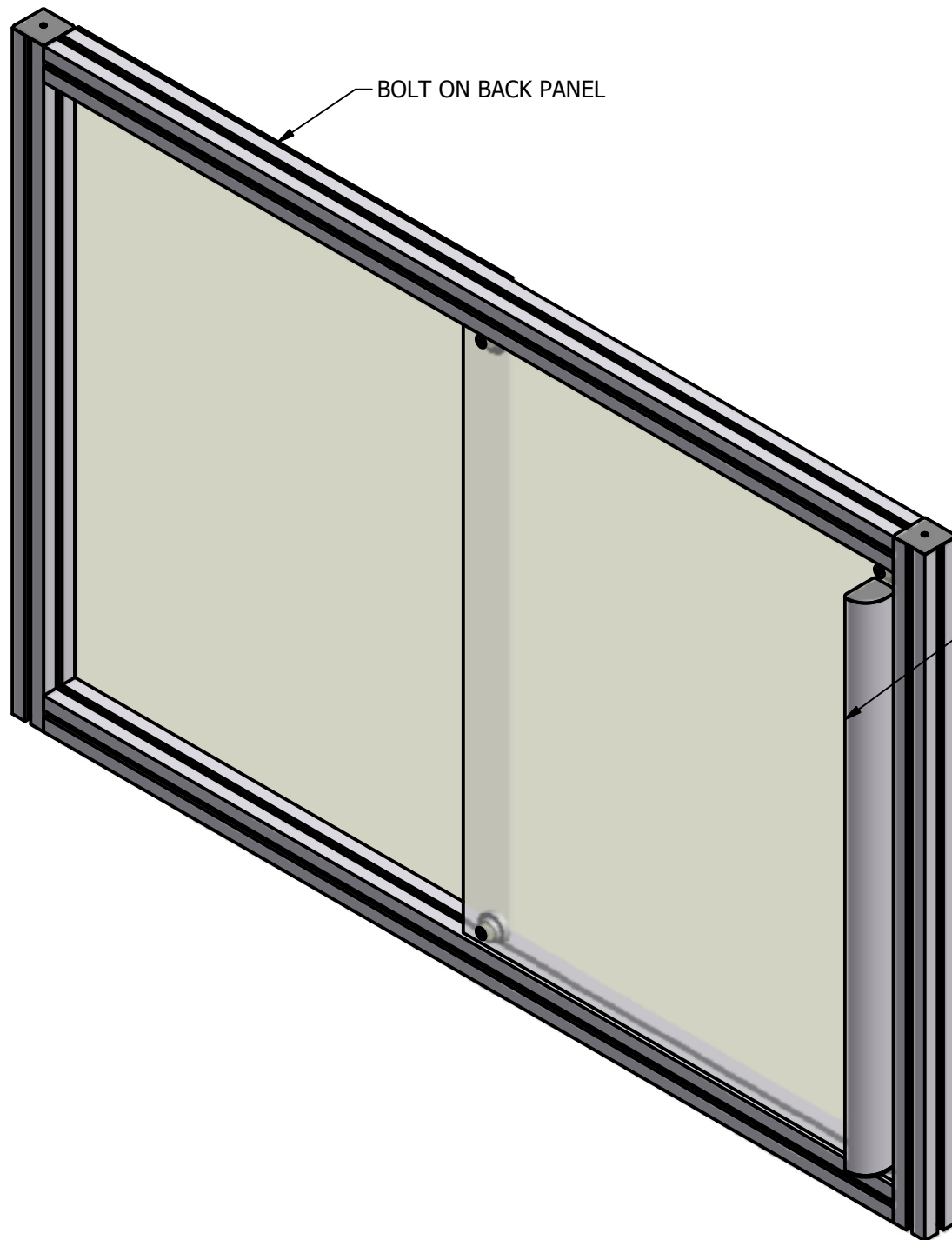
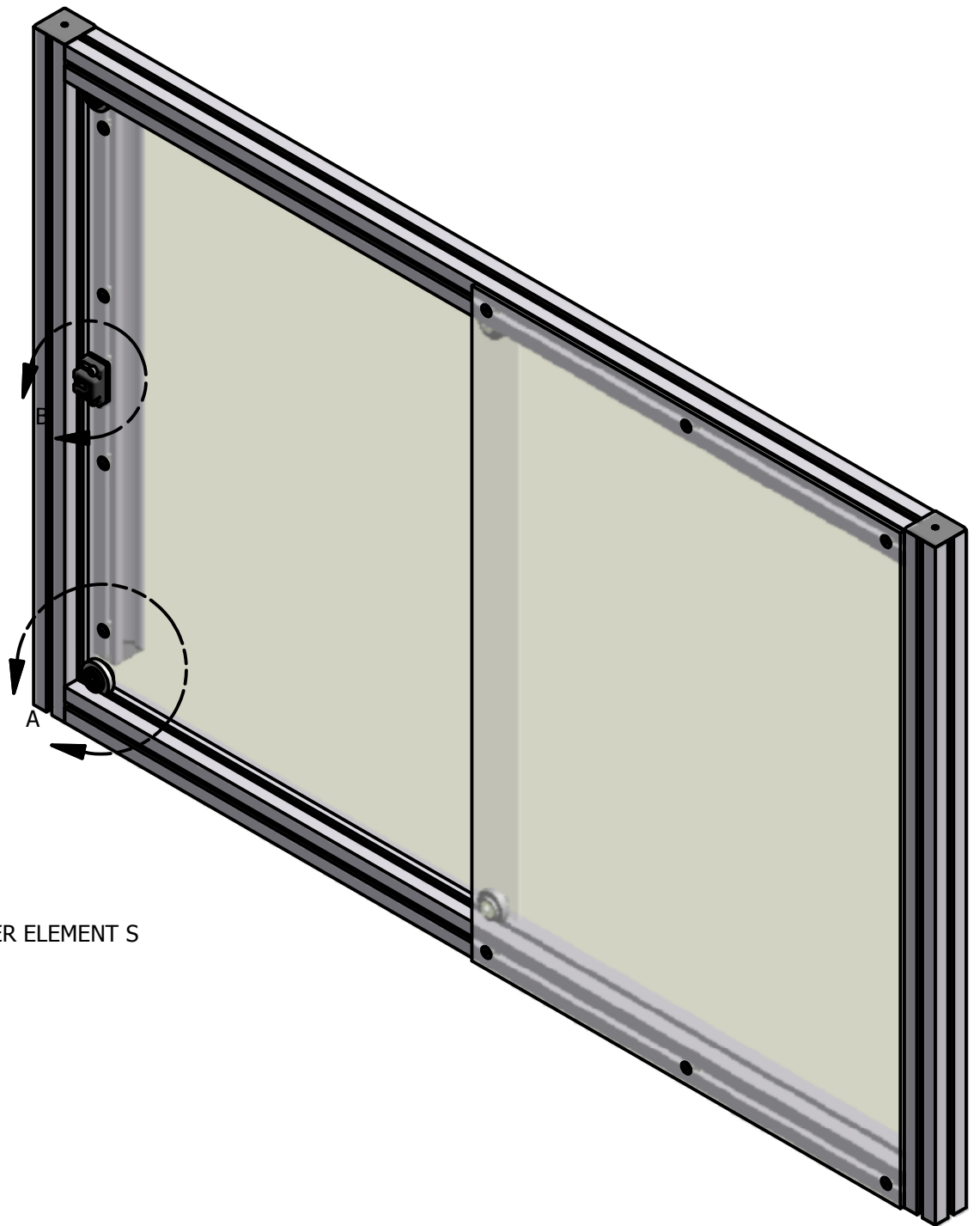
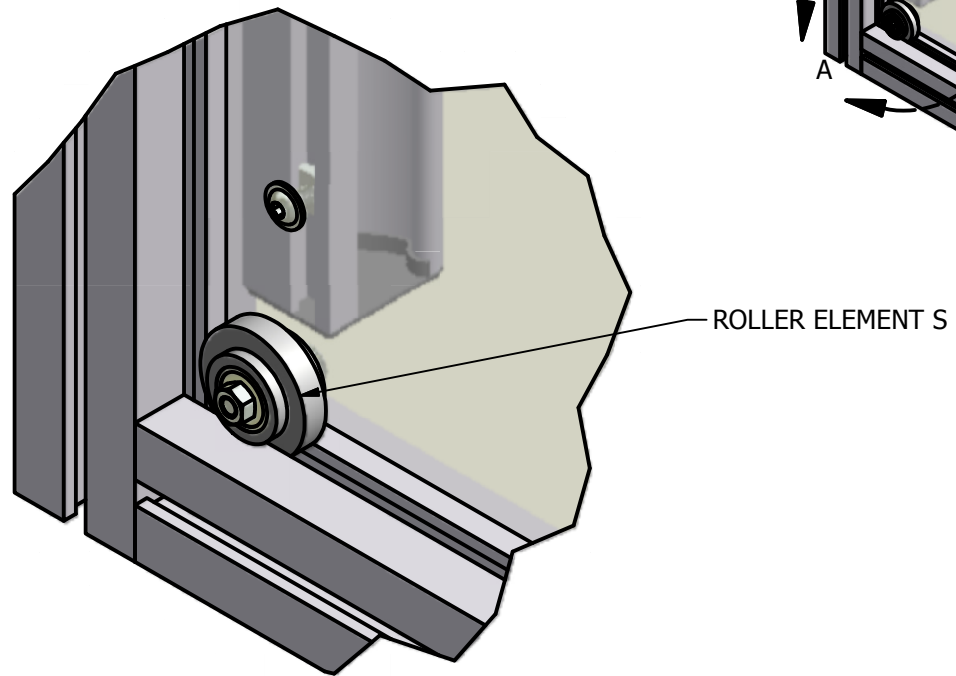
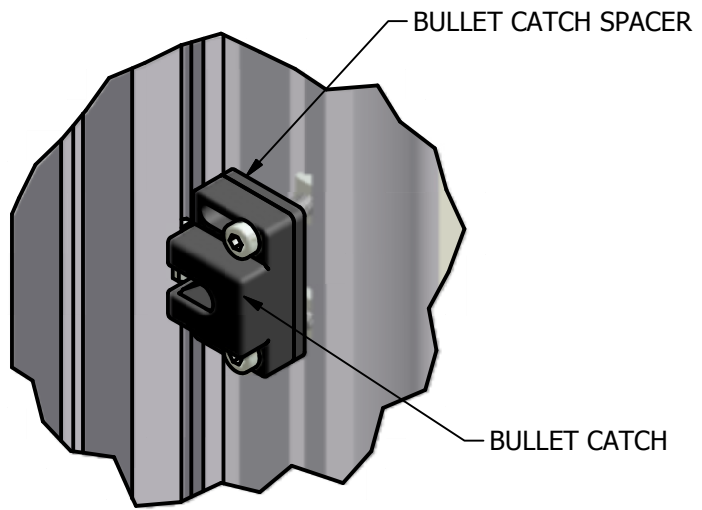


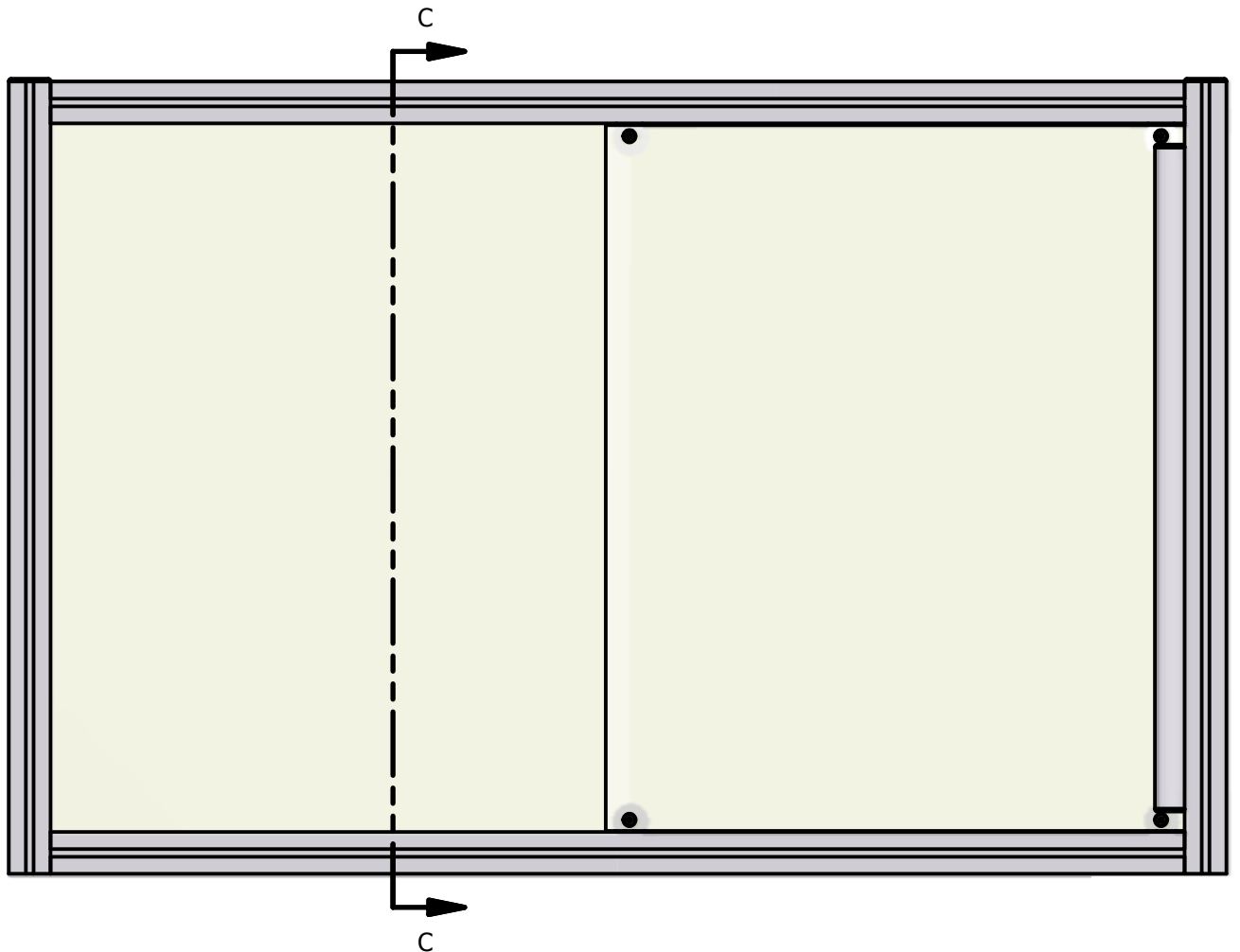
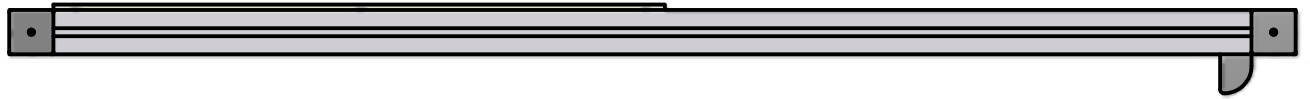
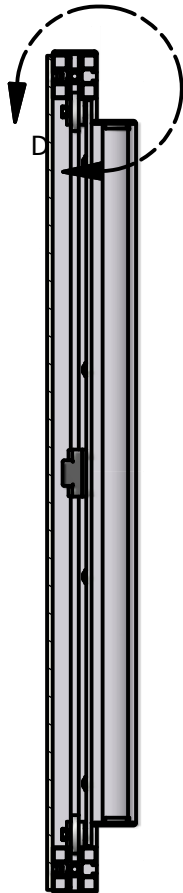
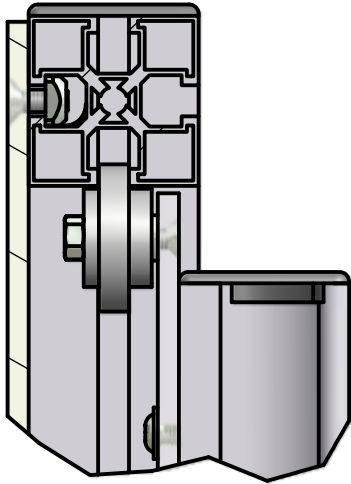
DWG SP010712-1 FRAMELESS DOOR
ON ROLLER ELEMENT S



BOLT ON BACK PANEL

HANDLE PROFILE 20.1045





SECTION C-C
SCALE .13

DOOR ASSEMBLY

