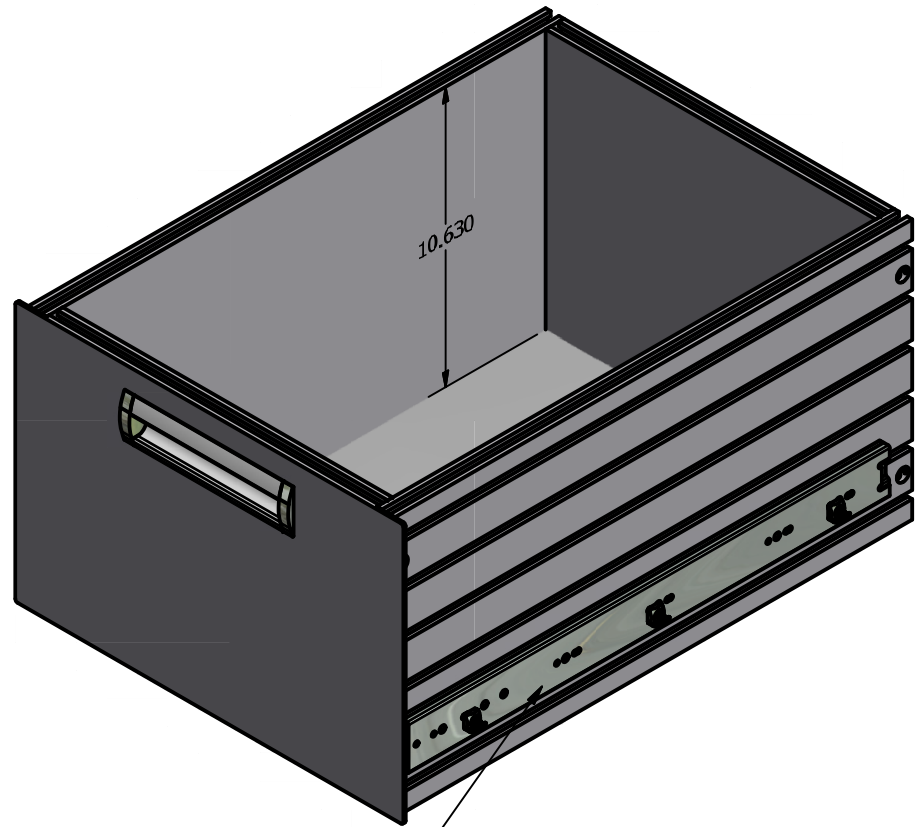
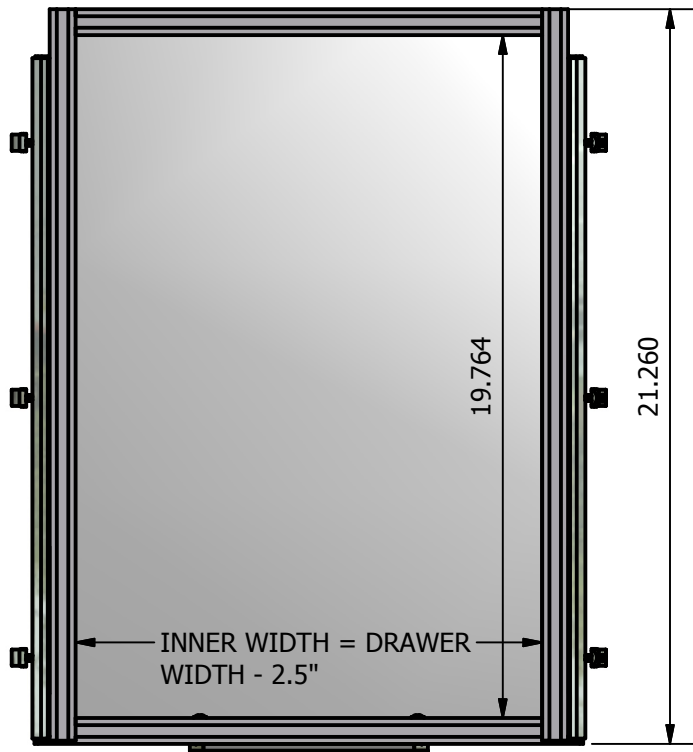
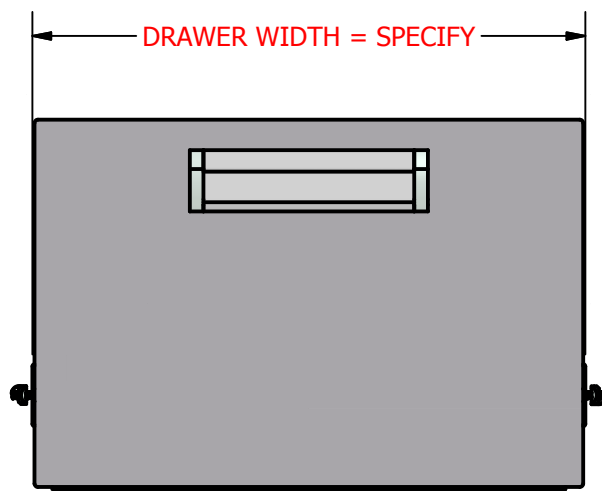


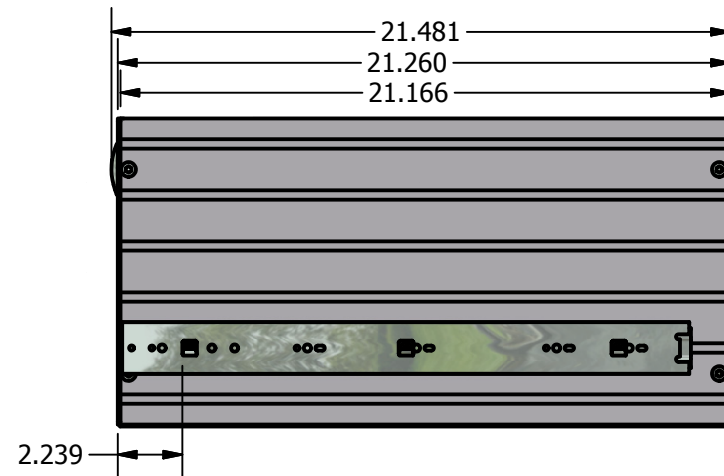
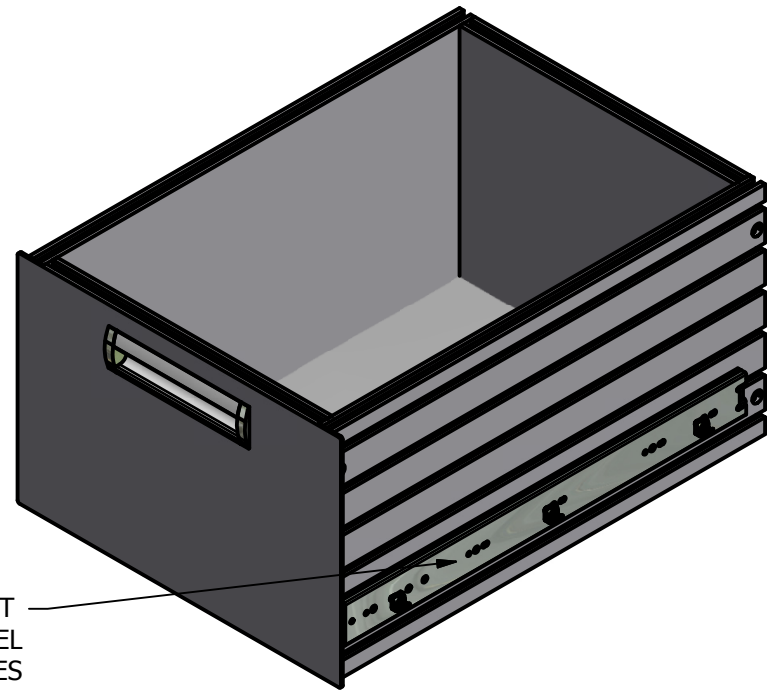
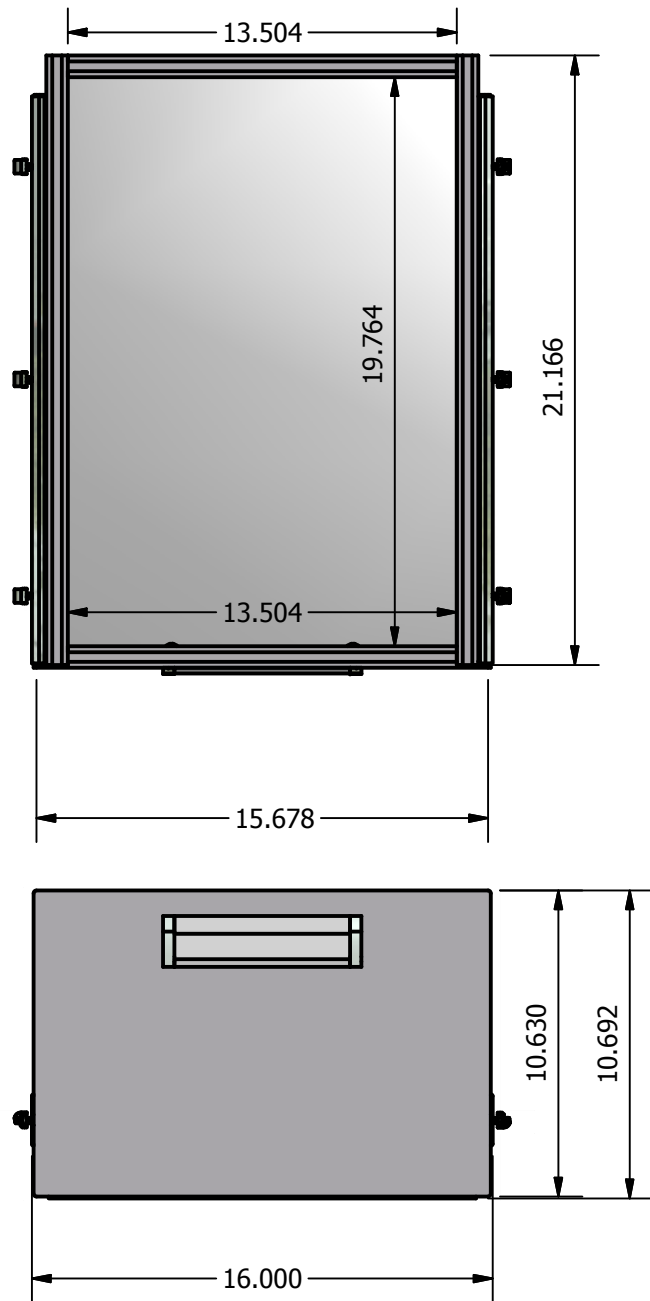
SPECIFY DESIGN SP070212-2  
& DRAWER WIDTH TO GET A QUOTE




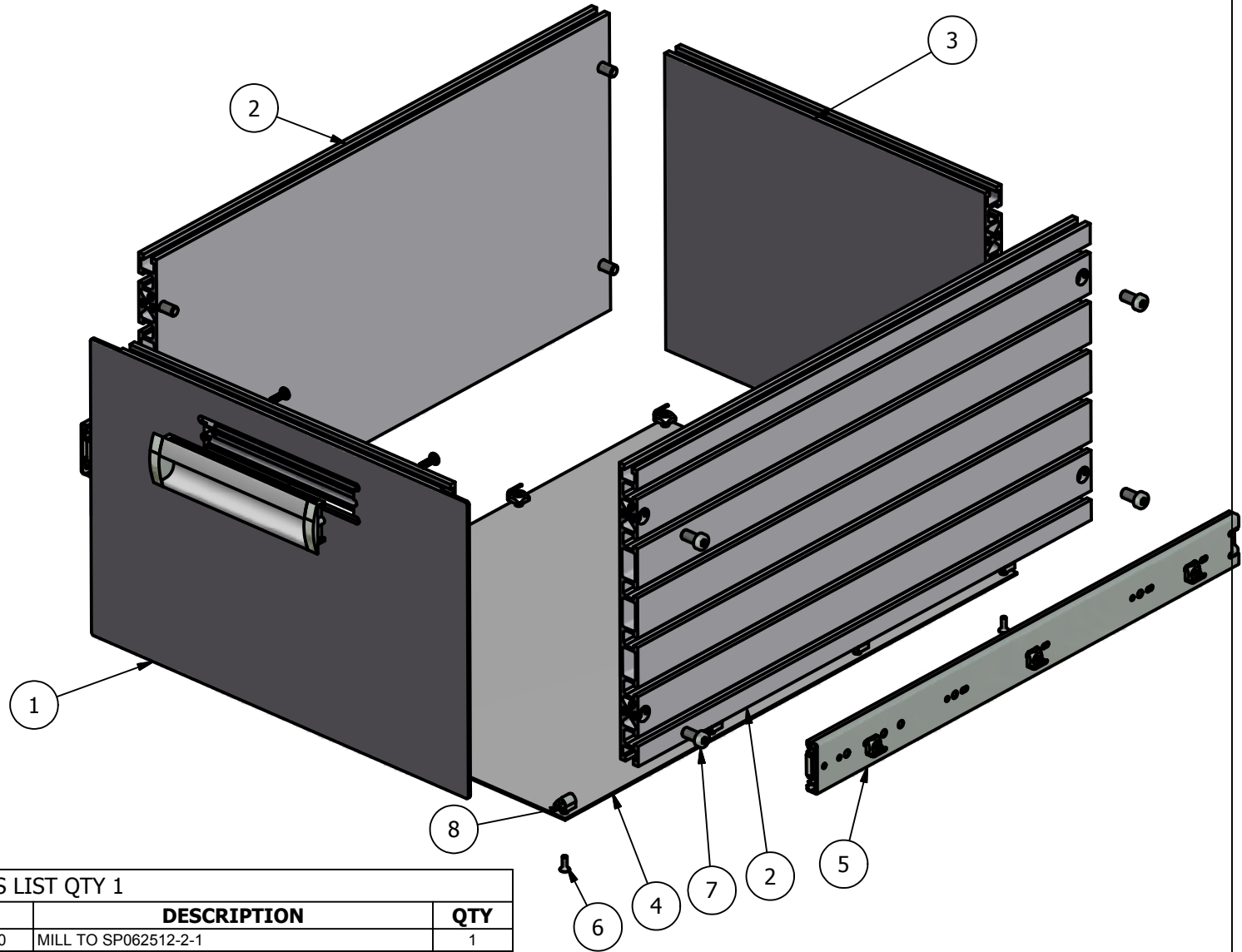
20" TRAVEL BALL BEARING  
DRAWER SLIDES 95 LB/PAIR  
(OTHER LENGTHS AVAILABLE)



PROJECT SP062512-2			WWW.MINITECFRAMING.COM	
DRAWN BY ANDY MOLES			VICTOR, NY	
DATE 6/27/2012			PH # 585 924-4690 FX # 585 924-4821 amoles@minitecframing.com	
DRAWN FOR MINITEC'S CUSTOMER	TITLE 19X270 DRAWER	DWG NO <b>SP070212-2</b>	REV	
TOLERANCES UNLESS OTHERWISE NOTED .X +/- .1/32" .XX +/- .015" .XXX +/- .010"		MATERIAL	FINISH	
				SHEET 1 OF 7




PROJECT SP062512-2		 <b>MiniTec</b> THE ART OF SIMPLICITY	WWW.MINITECFRAMING.COM	
DRAWN BY ANDY MOLES			VICTOR, NY	
DATE 6/27/2012			PH # 585 924-4690 FX # 585 924-4821 amoles@minitecframing.com	
DRAWN FOR MINITEC'S CUSTOMER	TITLE 19X270 DRAWER	DWG NO <b>SP070212-2</b>	REV	
TOLERANCES UNLESS OTHERWISE NOTED X +/- .125" .XX +/- .015" .XXX +/- .010"		MATERIAL	FINISH	
				SHEET 2 OF 7



PARTS LIST QTY 1

ITEM	PART #	MATERIAL	DESCRIPTION	QTY
1	SP070212-2 -1	20.1077 PROFILE 19X270	MILL TO SP062512-2-1	1
2	SP070212-2 -2	20.1077 PROFILE 19X270	MILL TO SP062512-2-2	2
3	SP070212-2 -3	20.1077 PROFILE 19X270	TAP ALL 4 M8	1
4	SP070212-2 -5	21.9521/1 1/16" ANODIZED AL	MACHINE TO SP062512-2-5	1
5	32.9805 HALF		1/2 OF SET OF DRAWER SLIDE 20	2
6	21.1948		CSUNK M4X12	12
7	21.1200		M8 x 16 SHCS	8
8	21.1310/2		M4 SQUARE NUT W/ POS FXG	12
9	21.9308		FLUSH PULL 160 AL	1
10	21.9945		M4X16 BUTTON HEAD FLANGE	2

PROJECT SP062512-2		 THE ART OF SIMPLICITY	WWW.MINITECFRAMING.COM VICTOR, NY PH # 585 924-4690 FX # 585 924-4821 amoles@minitecframing.com	
DRAWN BY ANDY MOLES			DWG NO	
DATE 6/27/2012		TITLE		REV
DRAWN FOR MINITEC'S CUSTOMER		19X270 DRAWER		SP070212-2
TOLERANCES UNLESS OTHERWISE NOTED X +/- .125" XX +/- .015" XXX +/- .010"		MATERIAL		SHEET 3 OF 7
		FINISH		