

## CONNECTION OF MOTORS



### Timing belt pulley T 45

Rotary-current-, step or servo-motors with max. shaft diameter of 16 mm are suitable. Assemble directly on the timing belt pulley. The pulley bore with fitting key groove and the connection side of the reverse unit will be designed according to customer specification.

### Timing belt pulley T 90

Rotary-current-, step or servo-motors with max. shaft diameter of 24 mm are suitable. Assemble directly on the timing belt pulley. The pulley bore with fitting key groove and the connection side of the reverse unit will be designed according to customer specification.

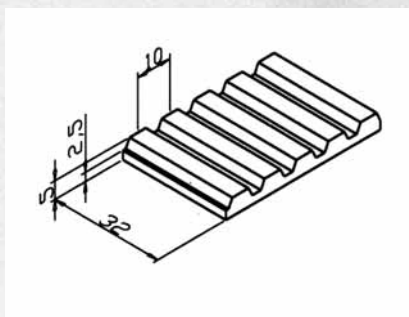
### Belt drive 45 und 90

Motors with hollow shafts can be attached directly on the slide-plate. Step and servo motors are connected via a coupling on the drive of the belt drive, diameter 17. Shaft, slide-plate or adapter plate are also available according to customer specification.

### Technical Data

Timing belt pulley:	LR6	T 45	T 90	Belt drive
Pulley				
D =	56,05 mm	58,6 mm	58,6 mm	58,6 mm
W =	16 mm	32 mm	32 mm	32 mm
Teeth	36	19	19	19
Bore	10 mm	8 mm	8 mm	8 mm
Reborable to max.	14 mm	16 mm	30 mm	drive shaft d 17
Travel (1 revolution)	180 mm	190 mm	190 mm	190 mm
Timing belt	16AT5	32AT10	32AT10	32AT10
Belt length in the reverse unit	160 mm	210 mm	210 mm	420 mm
Friction moment at 1/1000				
Belt tensioning	0,30 Nm	0.35 Nm	0.35 Nm	0.35 Nm
Maximal Load	30 Nm	70 Nm	130 Nm	30 Nm

### Calculation of the timing belt



#### When using T 45 and T 90

2 x rail length  
 +2 x 210 mm belt length in reverse  
 - slide length  
 - 2 x 20 mm in belt tensioner  
 = 2 x rail length - slide length + 380 mm

#### When using belt drive

Rail length + 212 mm

#### When using LR6

2 x Rail length + 260 mm