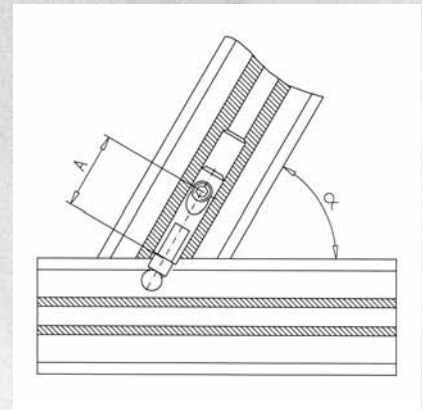
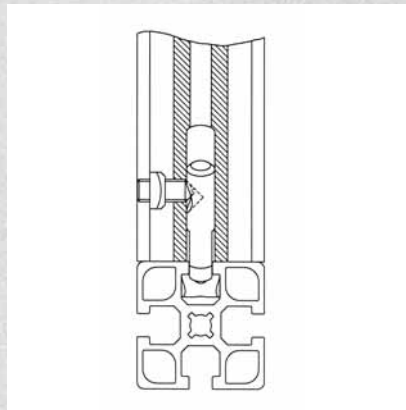
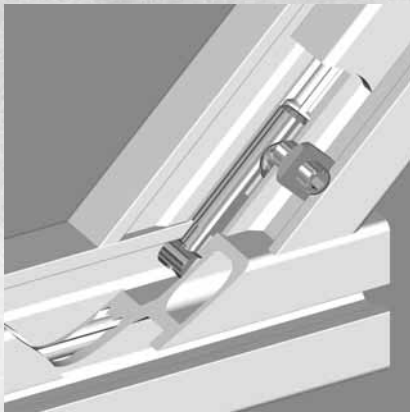


## MITRE CONNECTIONS

**Mitre connector N** Drill  $\varnothing$  10.2 mm bore in the profile core bore. Drill  $\varnothing$  8.2 bore depending on the angle and at distance A from the profile end (see table). Insert the mitre connector in the open profile end, position the M8 square nut with the set screw and tighten it.

Use drilling jig for mitre connector N, Part N° 26.1060/0.

Angle $\alpha$	25°	30°	35°	40°	45°	50°	55°	60°	65°	70°	75°	80°	85°
Distance A (mm)	21	24	26	28	29	30	30.5	31	31.5	32	32	32	32



**Mitre connector** Drill  $\varnothing$  10.2 mm bore in the profile core bore. Drill  $\varnothing$  8.2 bore at the distance 36.5 mm from the profile end. Insert the mitre connector in both open profile ends, position the M8 square nut with the set screw, and tighten it.

Use drilling jig for mitre connector, Part N° 26.1050/0.

